

Main office:
Address: 02222, Kyiv, Ukraine
22, Zakrevskogo str.
Phone: +38 044 501 39 44
Fax: +38 044 501 39 44
Website: www.opertec.tv
E-mail: office@opertec.tv
www.facebook.com/OperTecWorld
www.instagram.com/oper_tec

- Vancouver, Canada
- Toronto, Canada
- New York, USA
- Los Angeles, USA
- Atlanta, USA
- The Dominican Republic
- Bayoman Park, Puerto Rico
- Helsinki, Finland
- Stockholm, Sweden
- Budapest, Hungary
- Ljubljana, Slovenia
- Moscow, Russia
- Sofia, Bulgaria
- Almaty, Kazakhstan
- Petalioi Tikva, Israel
- Seoul, South Korea
- Tokyo, Japan

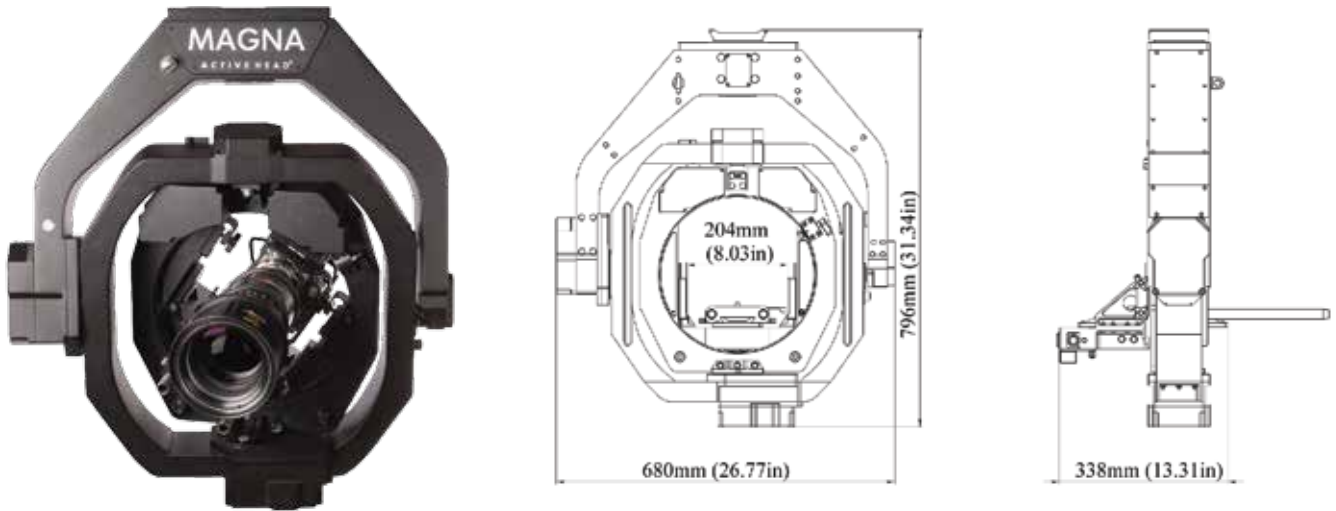


OperTec

Active Head MAGNA

▶ Gyro-stabilized head Active Head MAGNA ▶

The design of this head allows to use all of the common types of film and digital cameras. 4th axis improves stabilization performance and control flexibility. High stabilization performance can be achieved even with the longest and the heaviest lens, such as Optimo 24-290. The head is equipped with a digital lens control system that adds functionality and flexibility. It's available with a variety of control options such as Handwheels, Joystick and Pan Bar*.



▶ Features: ▶

- ▶ Improved stabilization level which allows to achieve a balanced picture even under extremely rough and difficult operating conditions;
- ▶ High angular velocity on all axes;
- ▶ Fast and effective rebalancing and calibration;
- ▶ 360 degree pan and roll function;
- ▶ Axis position indication;
- ▶ Solid and reliable construction;
- ▶ Quick Assembly;
- ▶ Remote controlled handling of lens Parameters (Focus, Iris, Zoom);
- ▶ Auto horizon;
- ▶ Control capability by cable or wireless;
- ▶ 4th axis for improved stabilization and control.

Height	796 mm/ 31.34 in
Width	680 mm/ 26.77 in
Depth	338 mm/ 13.31 in
Power Supply AC	(90-264V); 1kW(peak)
Power Supply DC	(19-72V); 1kW(peak)
Pan angular speed	270 deg/sec
Tilt angular speed	270 deg/sec
Roll angular speed	270 deg/sec
Weight	35 kg/ 77.2 lbs
Maximum usable focal length	290 mm
Payload	45 kg/ 99.2 lbs

This model fits for all of the common types of Cranes, Remote Controlled Platforms and Helicopter/Aerial Systems.

*Pan Bar on request

