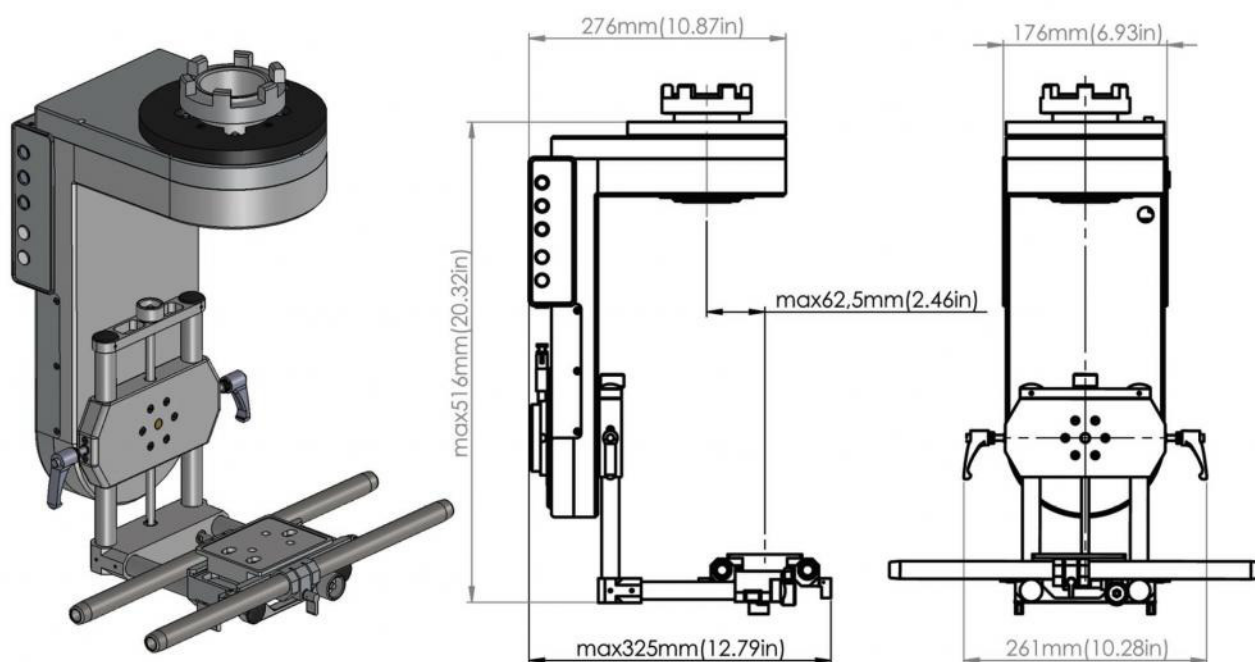


▶ Two axis gyro-stabilized head Active Head Milli ▶ **NEW!**

Two axis gyro-stabilized head Active Head Milli equipped with digital lens control system, which improved system functionality.

Despite its small size, panoramic head allows you to work with cameras up to 8 kg (RED Epic, ALEXA Mini, Canon Mark III etc.).

Active Head Milli has ruggedized construction while remaining lightweight, compact and quiet.



May be mounted on tripods, dollies and cranes with auto horizon.

Assembling time – 20 min.

It's available with a variety of control options such as Handwheels\*, Pan Bar\* or Joystick.

Height	516 mm/20.315 in
Width	261 mm/10.276 in
Depth	325 mm/12.795 in
Power supply AC	(90 – 264)V
Power supply DC	(24 – 60)V
Pan angular speed (max)	200 deg/sec
Tilt angular speed (max)	200 deg/sec
Weight	9 kg/19.8 lbs
Maximum usable focal length	100 mm

\* Handwheels and Pan Bar on request