

Main office:
Address: 02222, Kyiv, Ukraine
22, Zakrevskogo str.
Phone: +38 044 501 39 44
Fax: +38 044 501 39 44
Website: www.opertec.tv
E-mail: office@opertec.tv
www.facebook.com/OperTecWorld
www.instagram.com/oper_tec



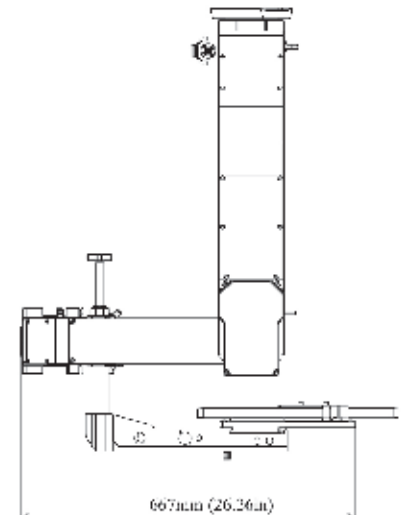
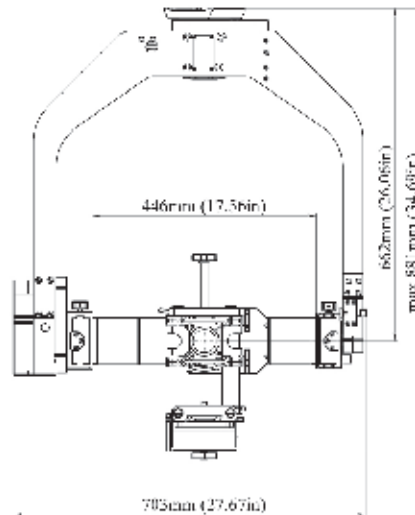
OperTec

Active Head

▶ Gyro-stabilized head Active Head ▶

The design of this head allows to use all of the common types of film and digital cameras. The head is also suitable for small and mid-size 3d rigs. It allows to achieve high stabilization performance even with the longest and the heaviest lens, such as Optimo 24-290.

The head is equipped with a digital lens control system that adds functionality and flexibility. It's available with a variety of control options such as Handwheels, Joystick and Pan Bar*.



▶ Features: ▶

- ▶ Improved stabilization level which allows to achieve a balanced picture even under extremely rough and difficult operating conditions
- ▶ High angular velocity on all axes
- ▶ Compact Size and Light Weight
- ▶ Fast and effective rebalancing and calibration
- ▶ 360 degree pan and roll function
- ▶ Axis position indication
- ▶ Solid and reliable construction
- ▶ Quick Assembly
- ▶ Remote controlled handling of lens Parameters (Focus, Iris, Zoom)
- ▶ Auto horizon
- ▶ Control capability by cable or wireless

Height	881 mm/ 34.69 in
Width	703 mm/ 27.67 in
Depth	667 mm/ 26.26 in
Power Supply AC	(90-264V); 1kW(peak)
Power Supply DC	(19-72V); 1kW(peak)
Pan angular speed	270 deg/sec
Tilt angular speed	270 deg/sec
Roll angular speed	270 deg/sec
Weight	32 kg/ 70.5 lbs
Maximum usable focal length	290 mm
Payload	45 kg/ 99.2 lbs

This model fits for all of the common types of Cranes, Remote Controlled Platforms and Helicopter/Aerial Systems.

*Pan Bar on request

